

# Finish Schedule



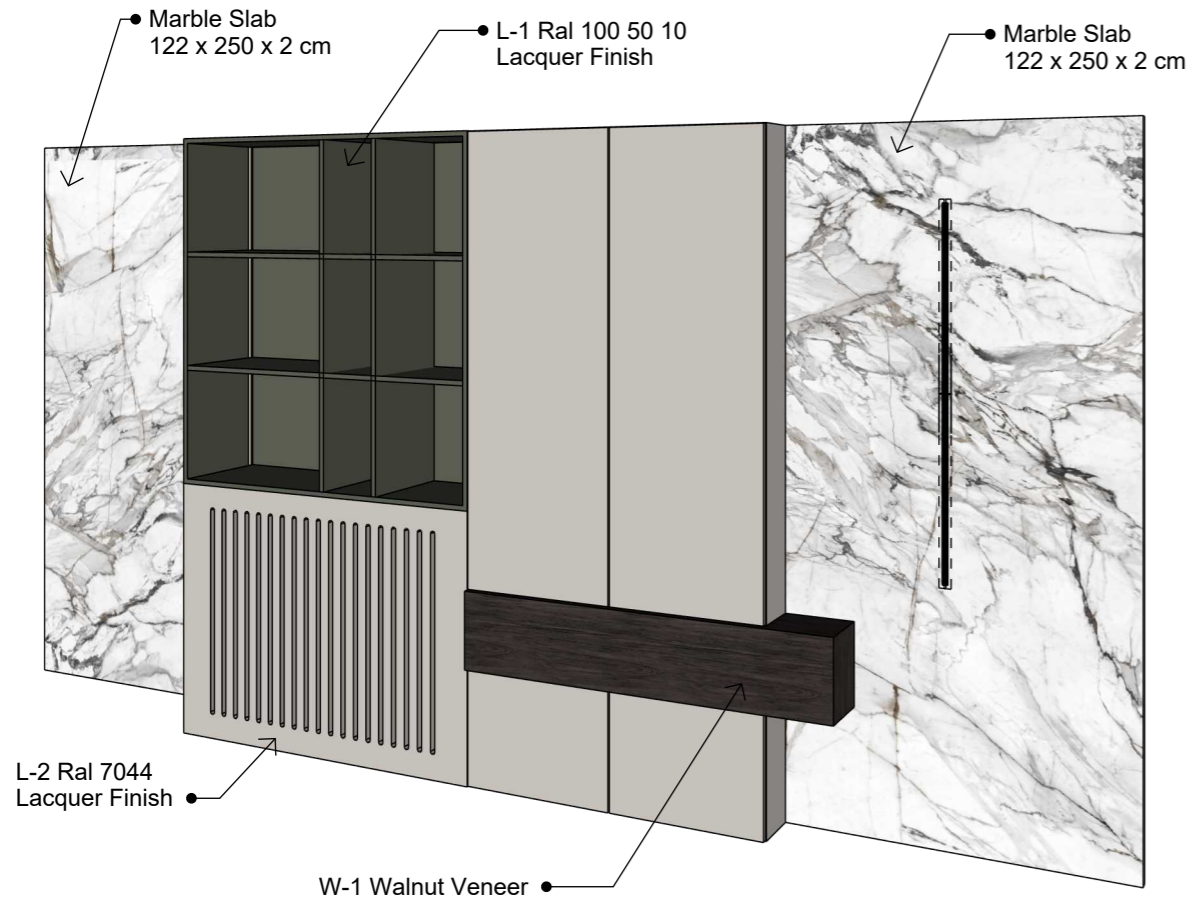
W-1



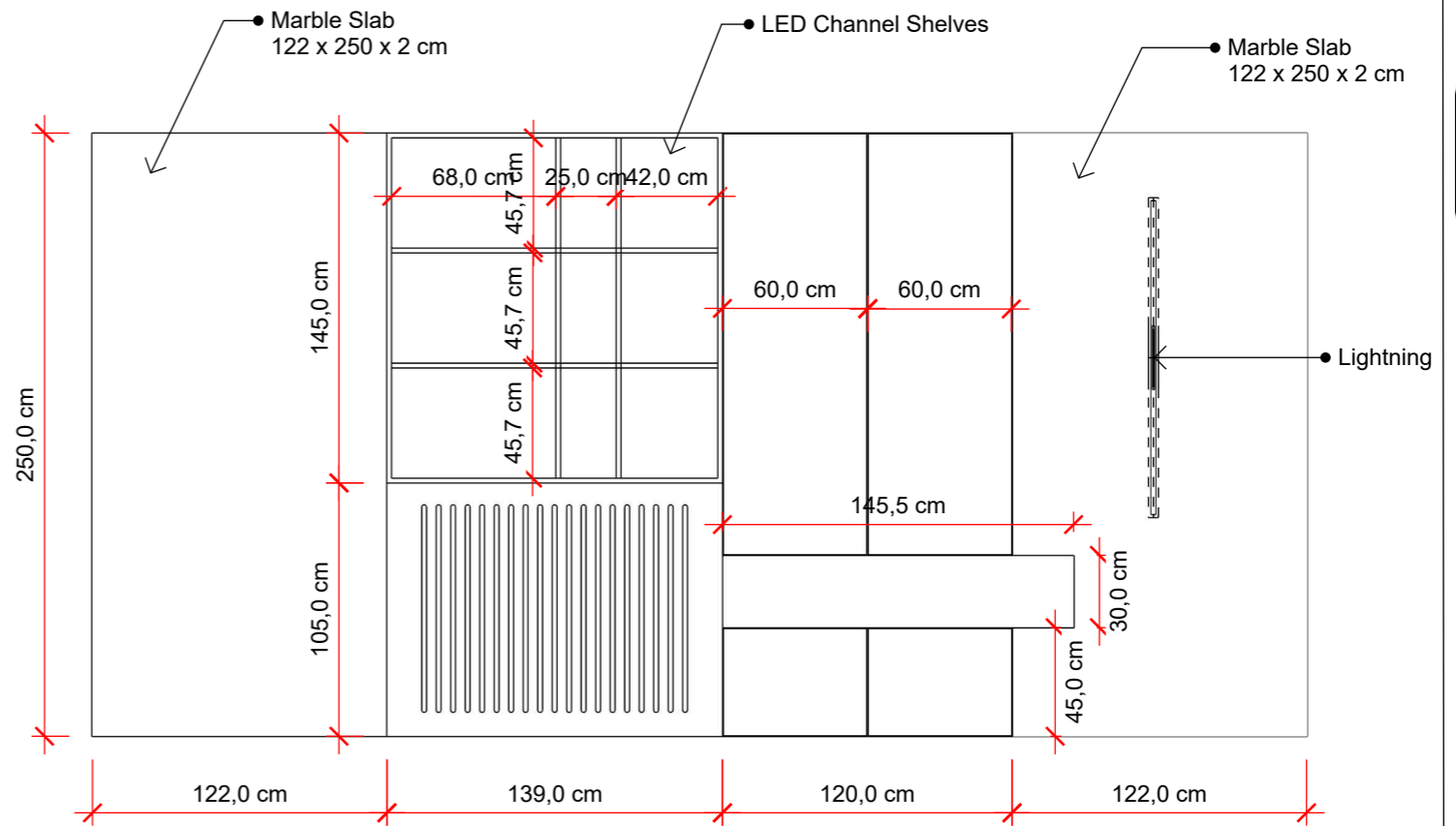
L-1



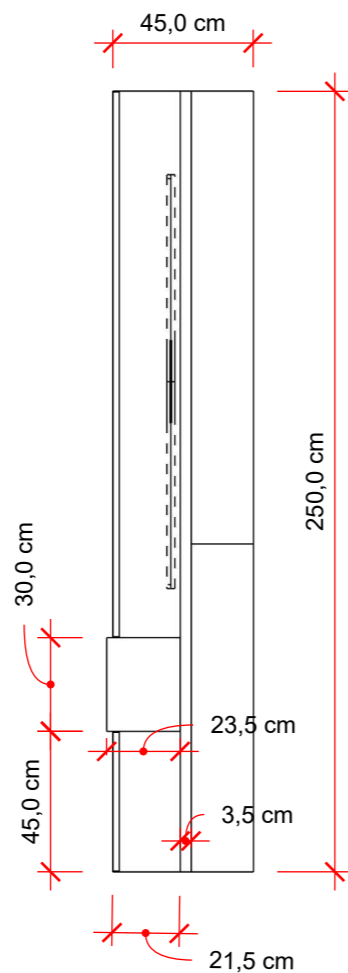
L-2



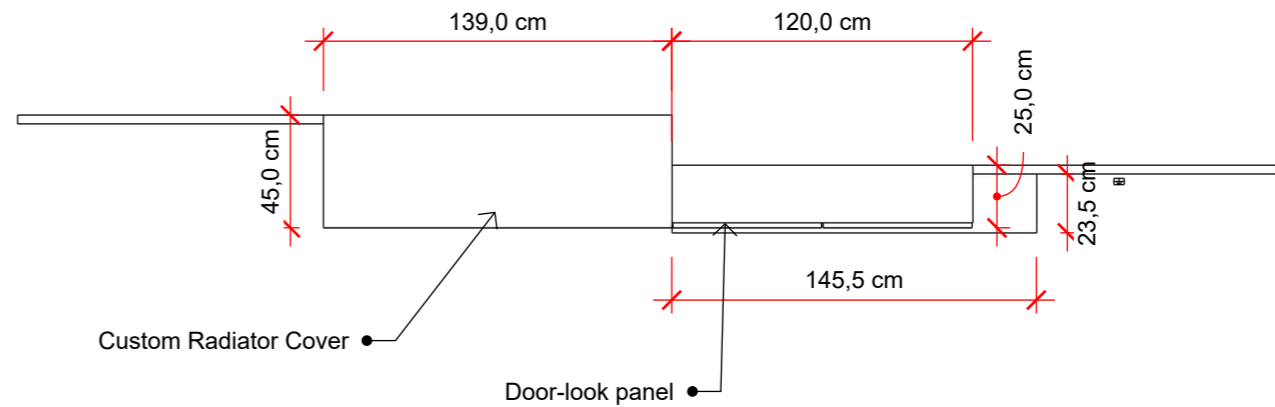
PERSPECTIVE



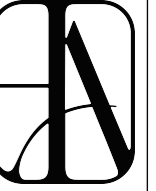
FRONT VIEW



SIDE VIEW



PLAN



These drawings and all associated design content are the exclusive property of HAN-T. Any unauthorized copying, reproduction, modification, or distribution is strictly prohibited and may result in legal action.

CLIENT  
A.C.

ISSUE  
14.08.2025  
RE-ISSUE  
14.08.2025

PROJECT NO.  
32  
PROJECT  
Office Project

DRAWN BY  
B.T.  
DESCRIPTION  
Shop Drawing

A

01